



Custom Request For Quote Form

NAME: _____

E-MAIL: _____

ADDRESS: _____

CITY: _____ STATE/PROVINCE: _____

POSTAL CODE: _____ COUNTRY: _____

PHONE: _____

COMPANY NAME: _____

ITEMS GOING INSIDE CASE: _____

CASE APPLICATION: (CHECK ALL THAT APPLY)

EQUIPMENT/STORAGE _____ MEDICAL _____ SAMPLE/DEMO _____ SHIPPING _____ TECHNICIAN _____

TOOL PALLETS _____ I DON'T KNOW _____ OTHER _____

TYPE OF CASE: (CHECK ALL THAT APPLY)

ALUMINUM _____ BLOW MOLDED _____ MOLDED _____ SOFT SEWN _____

FOAM FILLED _____ TOOL CASE/TOOL ROLLS _____ WATERTIGHT _____ I DON'T KNOW _____

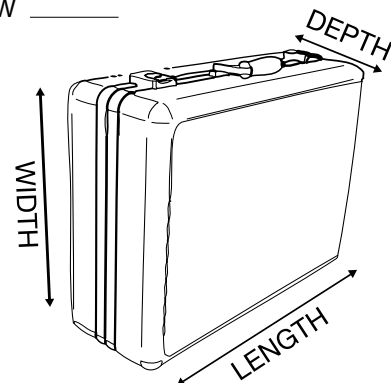
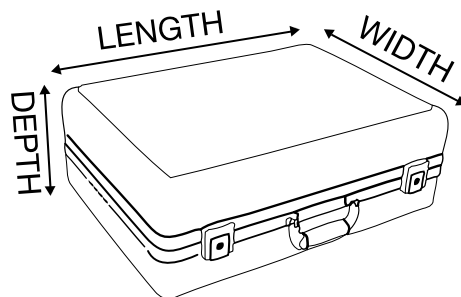
OTHER _____

ESTIMATED CASE QUANTITIES NEEDED: _____

ESTIMATED WEIGHT OF ITEMS IN CASE: _____

ESTIMATED USABLE SPACE OF CASE:

LENGTH _____ WIDTH _____ DEPTH _____ I DON'T KNOW _____



WHEEL & HANDLE (RETRACTABLE HANDLE/TRANSPORT WHEELS) REQUIRED:

YES _____ NO _____ I DON'T KNOW _____

LOCKING FEATURE REQUIRED:

YES _____ NO _____ I DON'T KNOW _____

FOAM PROTECTION REQUIRED:

YES _____ NO _____ I DON'T KNOW _____

COLOR: _____
COLOR AVAILABILITY MAY VARY BASED ON TYPE OF CASE REQUIRED

OTHER:

Thank you for your interest in Platt Luggage, Inc. Please fax this form to our Engineering Department at 773-838-2010 for a custom quote. You can also e-mail us at info@plattcases.com. If you would like to reach us directly please call 800-222-1555 X 253. If you have questions about the form please call us directly at 800-222-1555. Thank you.